

# CENTRAL GAS EQUIPMENT



**ORBICU - ICU Pendant**



# ORBICU ICU Pendant

## Standard Technical Parameters

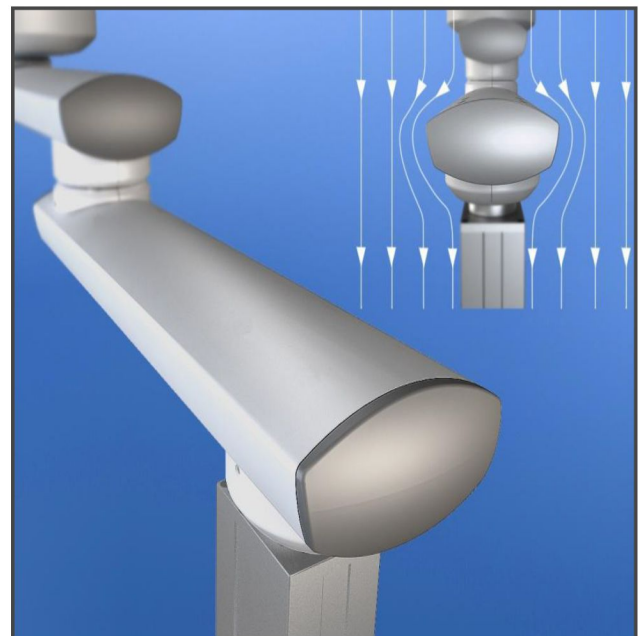
Features	Parameters	
	Dry Side	Wet Side
Medical Gas	Air, O2, Vac	Air, O2, Vac
Electrical Socket	6	6
Medical Devices	Ventilator Monitor	Infusion, Syringe Pump
Max Rotation Radius	2600 mm	
Rotation Range	342°	
Max Load	200 kg	
Max Height Adjustment	n/a	
Type	Mechanical	

## Features

Control	can be electrical or manual
Swivel Arms	single or double in different lengths can cover unique work area requirements
Electric Setup	brand and quantity of components can be selected
Medical Gas	brand and quantity of gas outlets can be selected

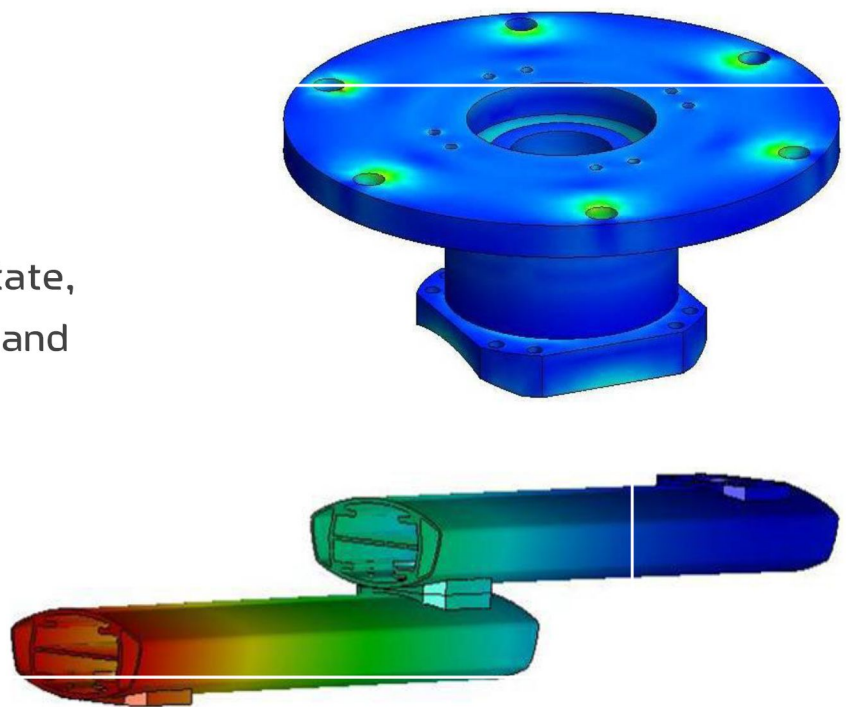
## Reliable Quality

- Dustproof antifouling
- Streamlined structure
- High strength aluminium
- 4 times load-bearing test
- Forward die extrusion die forming
- Laminar-flow-optimized shape
- Powder coating on the surface
- Full in-process and finished stage inspections



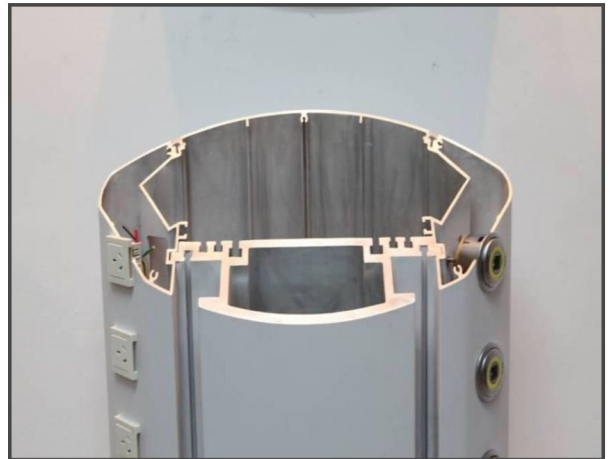
## Reliable Quality

- Wide range for arms to rotate, high load capacity, smooth and reliable movement



## Separate Gas and Electric Cavities

- Designed to keep the service separate to ensure patient's safety



## Modular Design

- Design allows very convenient upgrades and extensions at any time





# Characteristics

## Ergonomic Convenient

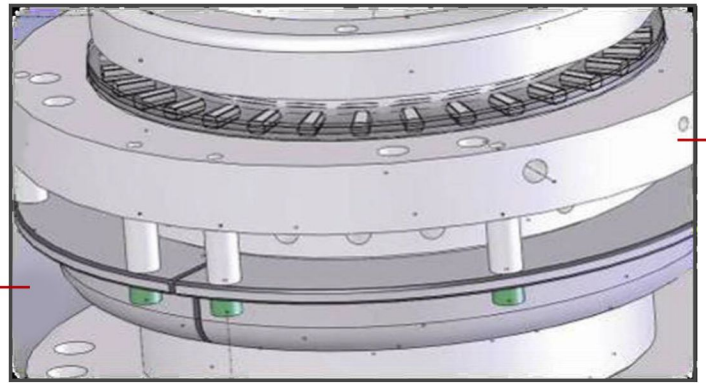
- Easy to use controls that provide a comfortable operation





## Braking System

- Each rotary joint is fitted with pneumatic brake and friction brake, effectively preventing slips







# Customised Solutions

**MOUNTING FLANGE**

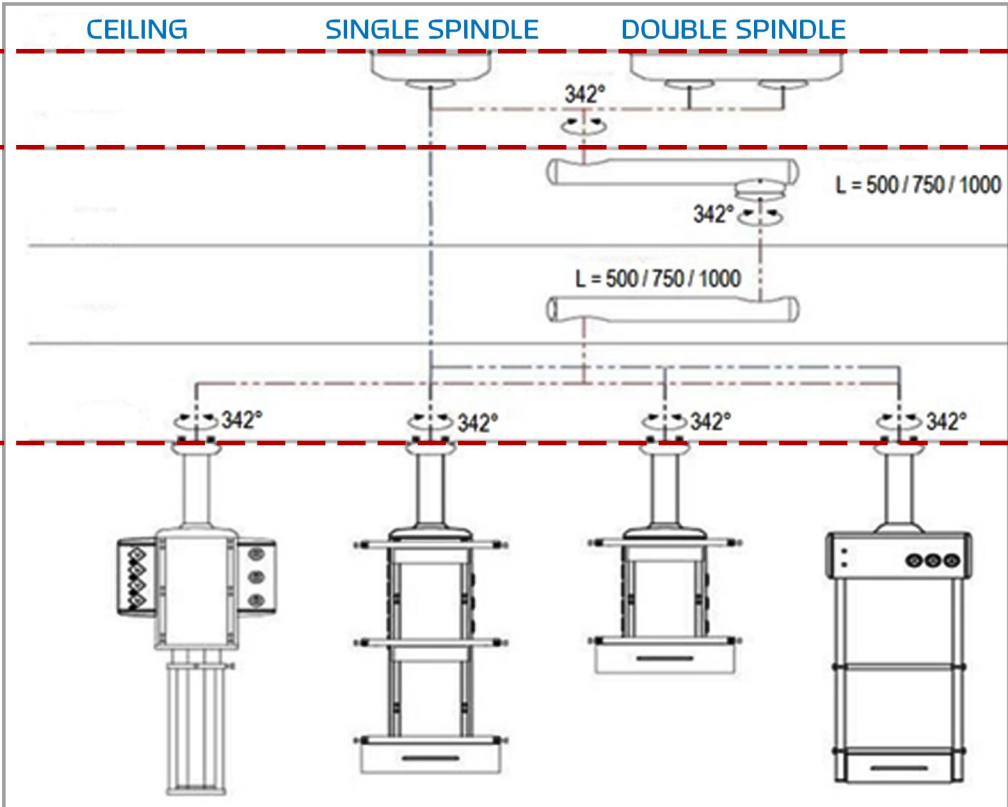
- Single / Double Spindle

**SWIVEL ARM**

- Single arm (mm):  
500, 750, 1000, 1300
- Double arm (mm):  
1000, 1250, 1500, 1750,  
1800, 2000, 2050, 2300,  
2600

**MEDICAL COLUMN**

- Anesthesia Pendant
- Endoscope Pendant
- Surgery Pendant 1
- Surgery Pendant 2



# Customised Solutions

## SUPPLY BEAM

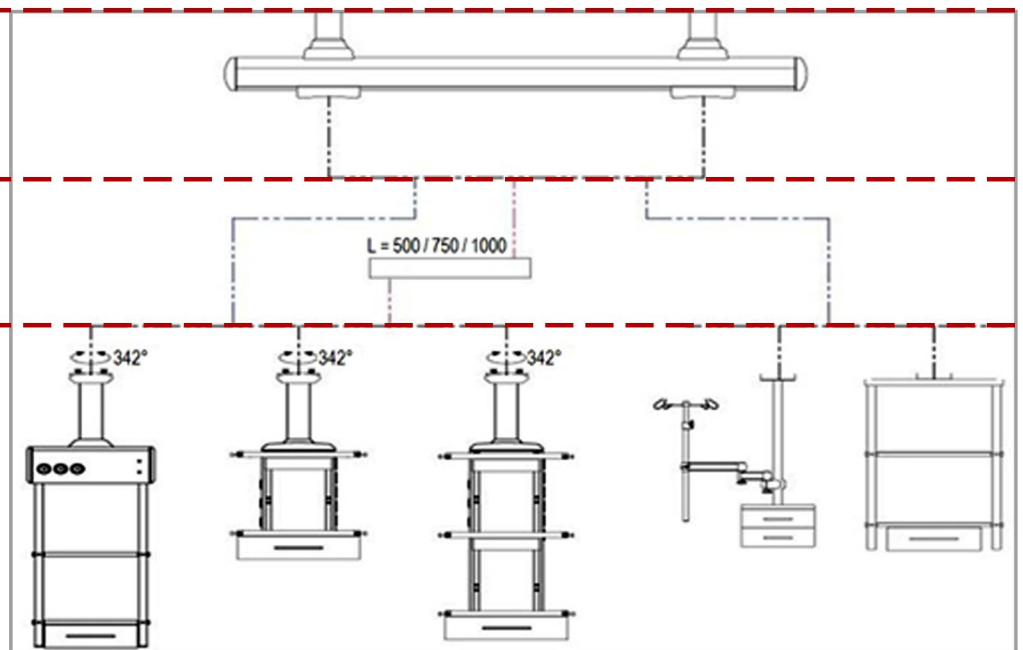
- Length (mm):  
2200, 2800

## SWIVEL ARM

- Single arm (mm):  
500, 750, 1000

## MEDICAL COLUMN

- Merged dry and wet side
- Separated dry and wet side





## Dodhys Medical Limited

Street 25, Plot H1-6, P.O Box: 7752  
Saif Zone, Sharjah, United Arab Emirates  
Tel: +971 6 5571787  
Fax: +971 6 5571791  
Email: [sales@dodhys.com](mailto:sales@dodhys.com)  
Web: [www.dodhys.com](http://www.dodhys.com)