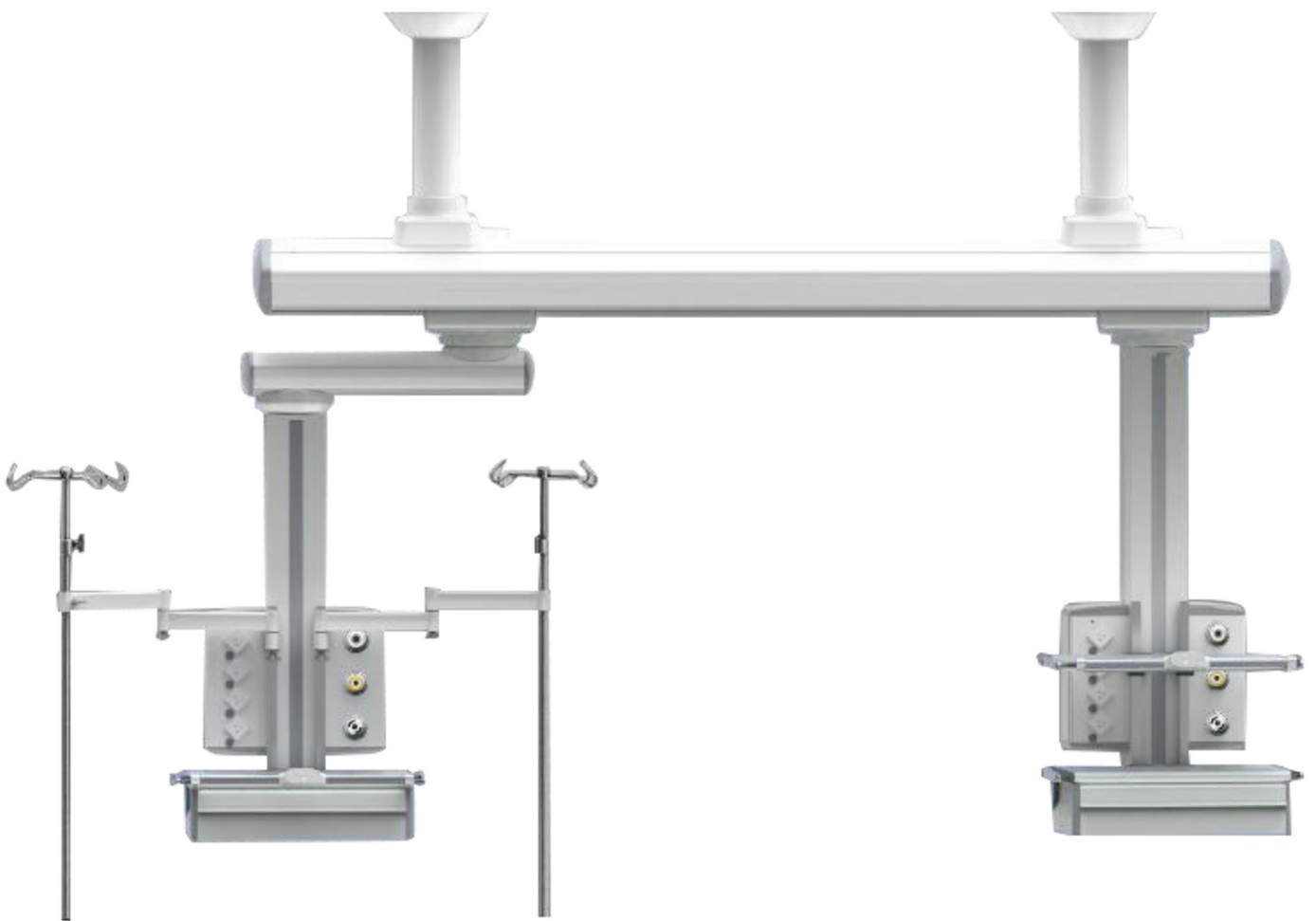


CENTRAL GAS EQUIPMENT



BYTrex - Supply Beam



BYTREX Supply Beam

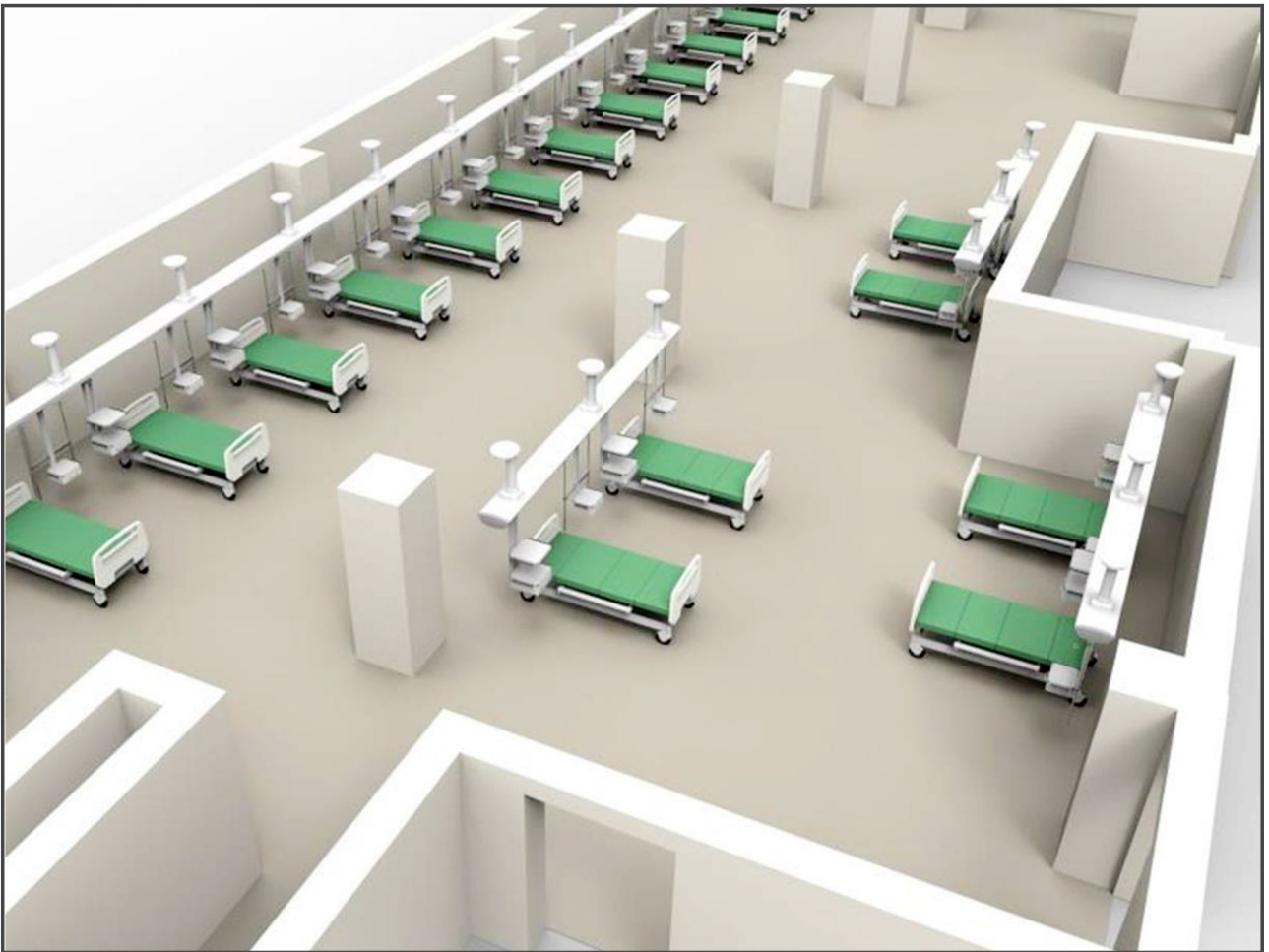
Standard Technical Parameters

Features	Parameters	
	Dry Side	Wet Side
Medical Gas	Air, O2, Vac, CO2	Air, O2, Vac, CO2
Electrical Socket	6	6
Horizontal movement	500 mm	500 mm
Max Rotation Radius	500 mm	500 mm
Type	Mechanical	

Features

Control	can be electrical or manual
Swivel Arms	single or double in different lengths can cover unique work area requirements
Electric Setup	brand and quantity of components can be selected
Medical Gas	brand and quantity of gas outlets can be selected

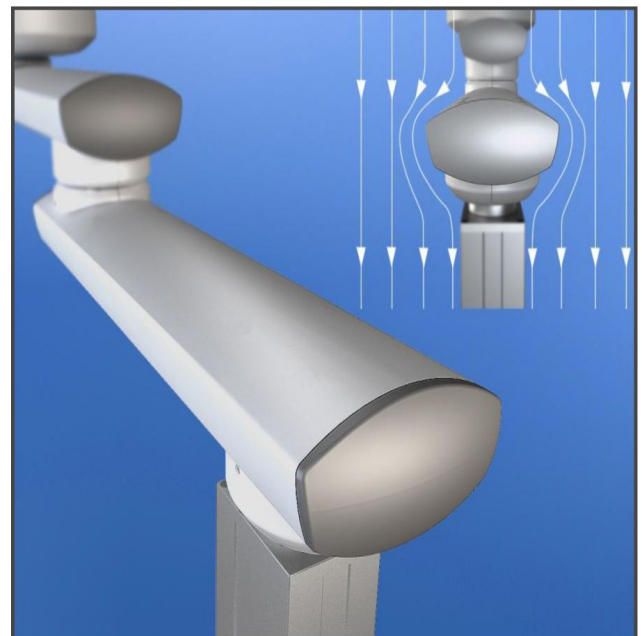
Application Examples



BYTREX
ICU

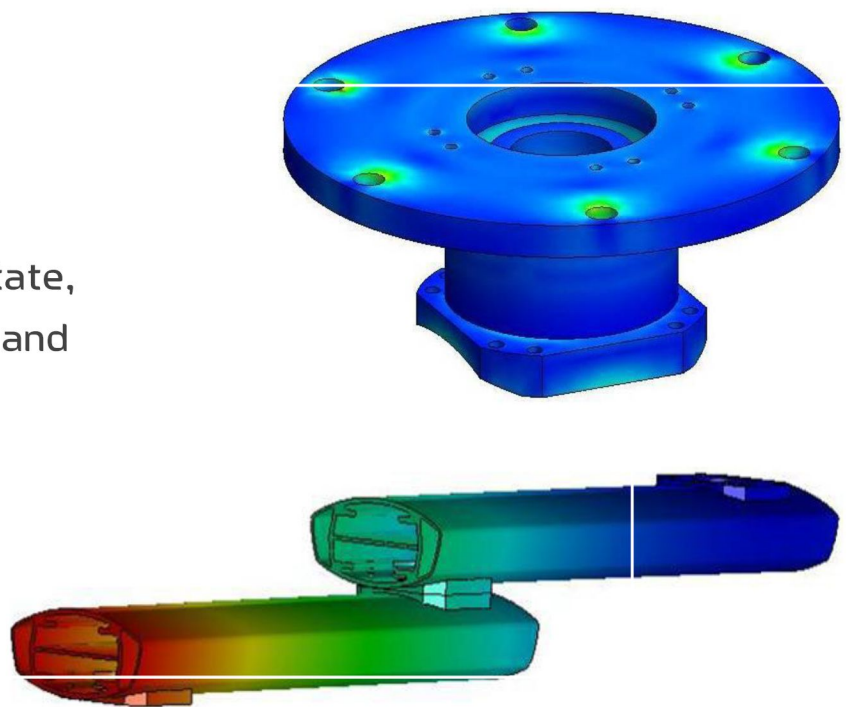
Reliable Quality

- Dustproof antifouling
- Streamlined structure
- High strength aluminium
- 4 times load-bearing test
- Forward die extrusion die forming
- Laminar-flow-optimized shape
- Powder coating on the surface
- Full in-process and finished stage inspections



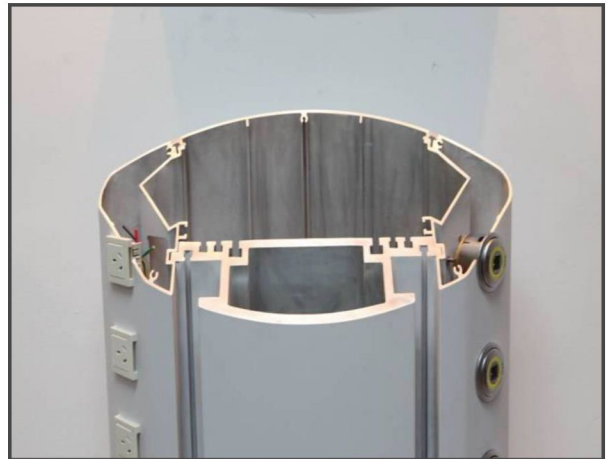
Reliable Quality

- Wide range for arms to rotate, high load capacity, smooth and reliable movement



Separate Gas and Electric Cavities

- Designed to keep the service separate to ensure patient's safety



Modular Design

- Design allows very convenient upgrades and extensions at any time





Characteristics

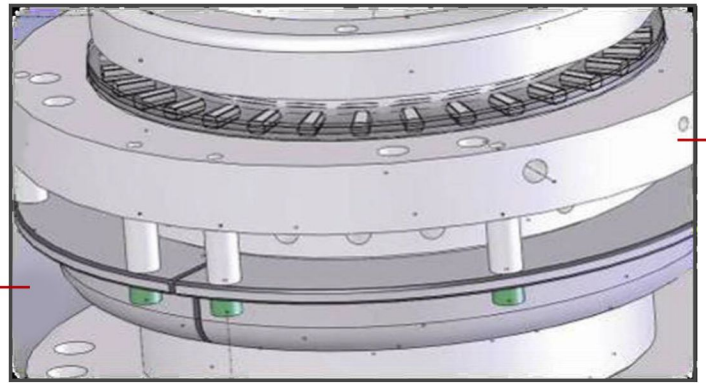
Ergonomic Convenient

- Easy to use controls that provide a comfortable operation



Braking System

- Each rotary joint is fitted with pneumatic brake and friction brake, effectively preventing slips





Customised Solutions

MOUNTING FLANGE

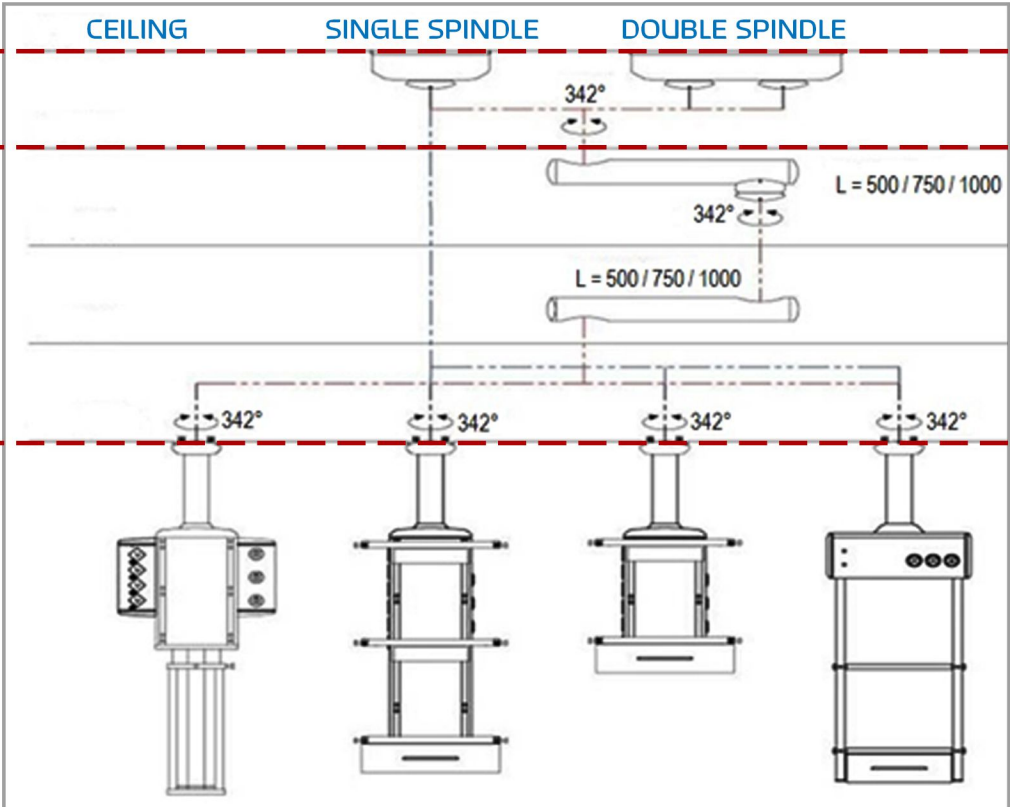
- Single / Double Spindle

SWIVEL ARM

- Single arm (mm):
500, 750, 1000, 1300
- Double arm (mm):
1000, 1250, 1500, 1750,
1800, 2000, 2050, 2300,
2600

MEDICAL COLUMN

- Anesthesia Pendant
- Endoscope Pendant
- Surgery Pendant 1
- Surgery Pendant 2



Customised Solutions

SUPPLY BEAM

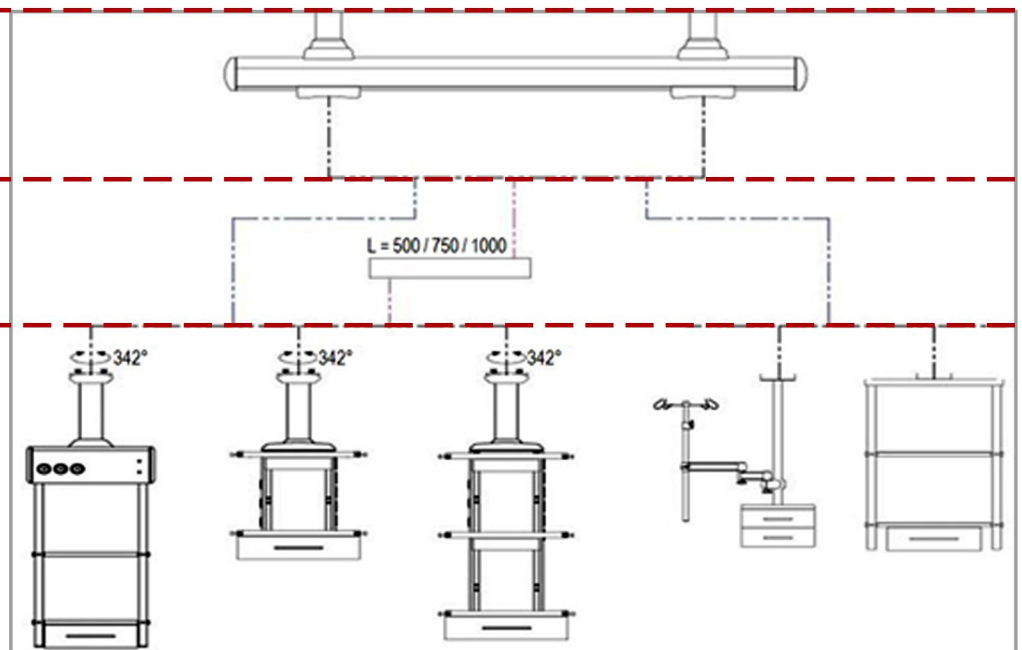
- Length (mm):
2200, 2800

SWIVEL ARM

- Single arm (mm):
500, 750, 1000

MEDICAL COLUMN

- Merged dry and wet side
- Separated dry and wet side





Dodhys Medical Limited

Street 25, Plot H1-6, P.O Box: 7752
Saif Zone, Sharjah, United Arab Emirates
Tel: +971 6 5571787
Fax: +971 6 5571791
Email: sales@dodhys.com
Web: www.dodhys.com