

CENTRAL GAS EQUIPMENT



ARTEGO - Anesthesia Pendant



ARTEGO

Anesthesia Pendant

Standard Technical Parameters

Type	Electrical
Swivel arm	500 mm
Swivel range	342°
Max height adjustment (mm)	600
Max load (kg)	300
O2	1
Air	1
Vac	1
N2O	1
AGSS	1
Power outlet	4
Equipotential Interface	4
Drawer	1
Infusion rack	1

Features

Control	can be electrical or manual
Swivel Arms	single or double in different lengths can cover unique work area requirements
Electric Setup	brand and quantity of components can be selected
Medical Gas	brand and quantity of gas outlets can be selected

Application Examples



ARTEGO & SCENTRIC
Integrated OR

Application Examples



ARTEGO & SCENTRIC
Integrated OR

Application Examples



ARTEGO
Integrated OR

Application Examples



ARTEGO & SCENTRIC
General Operation Room

Application Examples



ARTEGO & SCENTRIC
General Operation Room

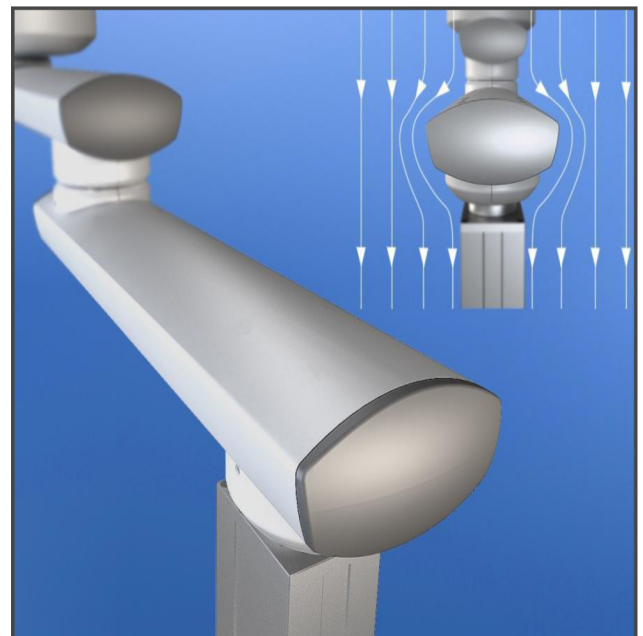
Application Examples



ARTEGO & SCENTRIC
General Operation Room

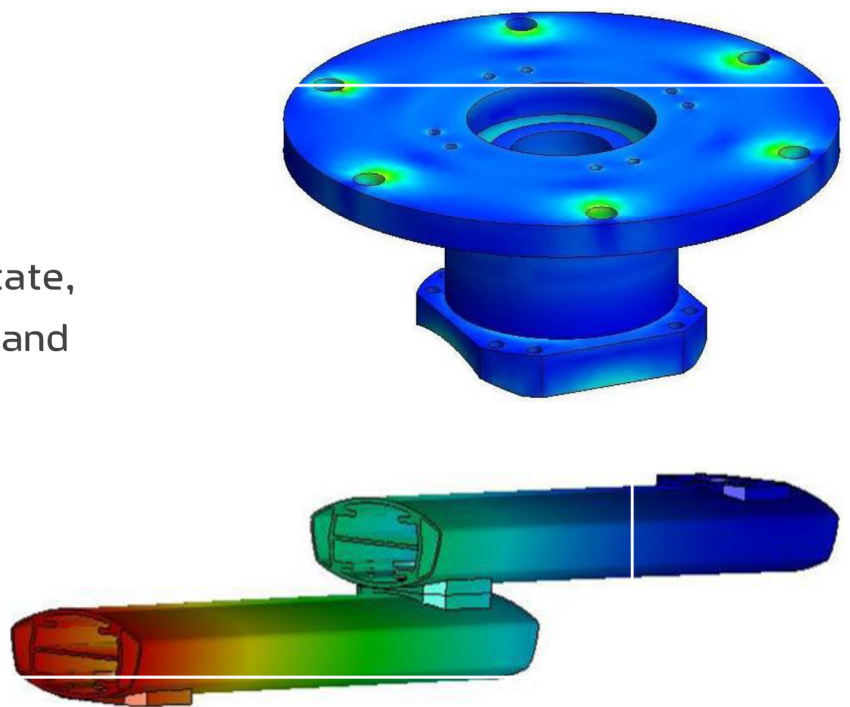
Reliable Quality

- Dustproof antifouling
- Streamlined structure
- High strength aluminium
- 4 times load-bearing test
- Forward die extrusion die forming
- Laminar-flow-optimized shape
- Powder coating on the surface
- Full in-process and finished stage inspections



Reliable Quality

- Wide range for arms to rotate, high load capacity, smooth and reliable movement



Separate Gas and Electric Cavities

- Designed to keep the service separate to ensure patient's safety



Modular Design

- Design allows very convenient upgrades and extensions at any time





Characteristics

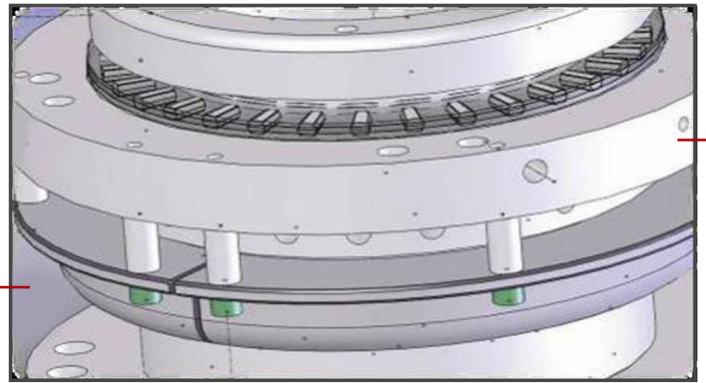
Ergonomic Convenient

- Easy to use controls that provide a comfortable operation



Braking System

- Each rotary joint is fitted with pneumatic brake and friction brake, effectively preventing slips





Customised Solutions

MOUNTING FLANGE

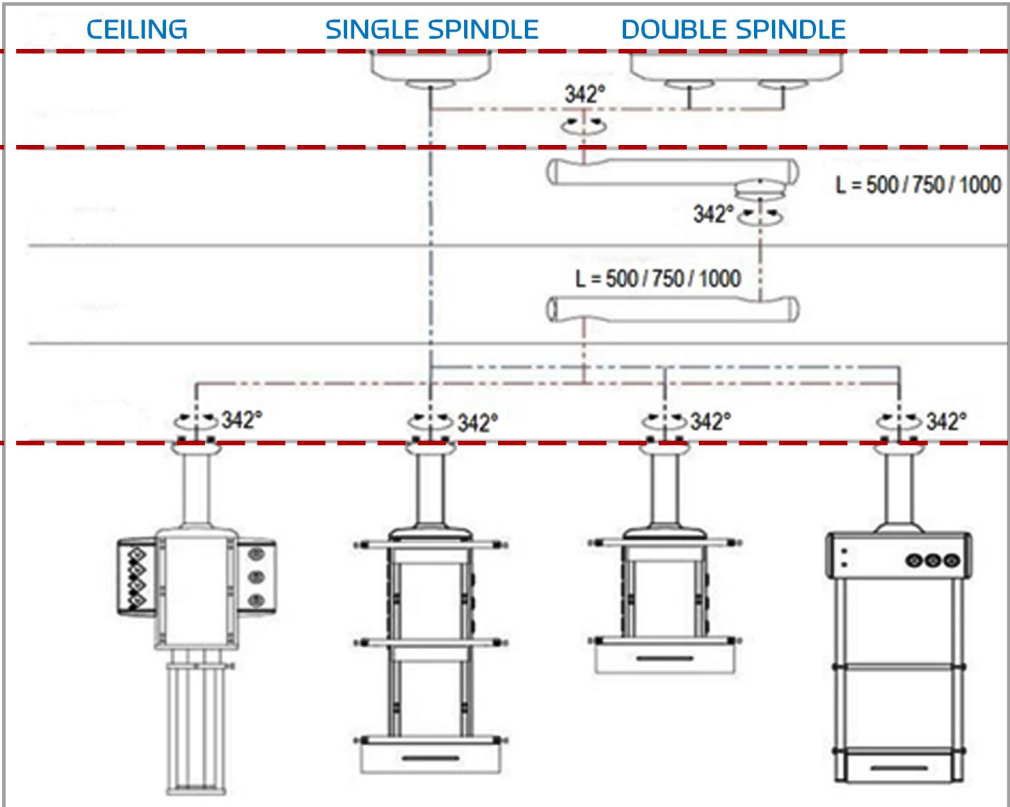
- Single / Double Spindle

SWIVEL ARM

- Single arm (mm):
500, 750, 1000, 1300
- Double arm (mm):
1000, 1250, 1500, 1750,
1800, 2000, 2050, 2300,
2600

MEDICAL COLUMN

- Anesthesia Pendant
- Endoscope Pendant
- Surgery Pendant 1
- Surgery Pendant 2



Customised Solutions

SUPPLY BEAM

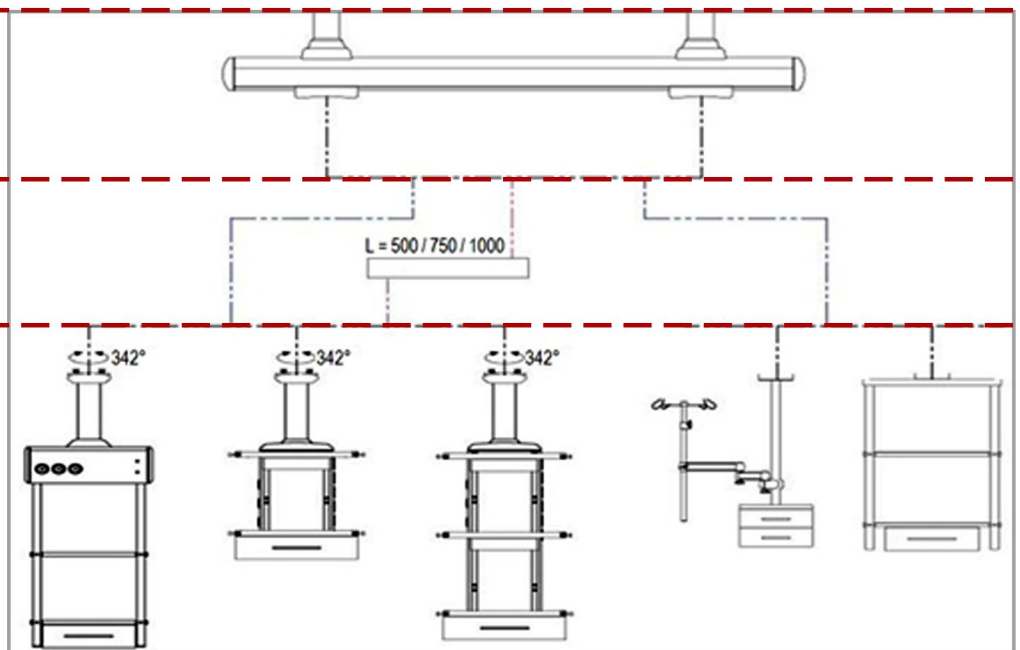
- Length (mm):
2200, 2800

SWIVEL ARM

- Single arm (mm):
500, 750, 1000

MEDICAL COLUMN

- Merged dry and wet side
- Separated dry and wet side





Dodhys Medical Limited

Street 25, Plot H1-6, P.O Box: 7752
Saif Zone, Sharjah, United Arab Emirates
Tel: +971 6 5571787
Fax: +971 6 5571791
Email: sales@dodhys.com
Web: www.dodhys.com