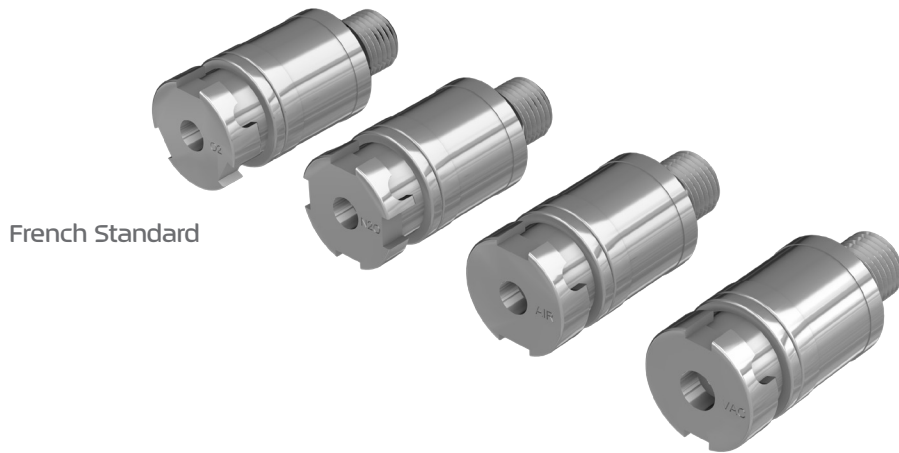


Available in single and twin configuration as per different international standards



French Standard



DIN Standard



British Standard

Please refer the ordering information sheet for details about part numbers

**DODHYS MEDICAL LIMITED**

P. O. Box: 7752, SAIF ZONE, SHARJAH, UNITED ARAB EMIRATES.

  [dodhys.com](http://dodhys.com)



**DISCLAIMER** (a) Please note that this brochure was prepared prior to all necessary Government consents being obtained. (b) The photographs may have been digitally enhanced or altered and are for indicative purpose only. (c) Changes may be made during the development and dimensions, fittings and specifications are subject to change without notice. Fittings and finishes are subject to availability and vendor discretion. (d) The information contained herein is believed to be correct but is not guaranteed. (e) Prospective purchasers should make and must rely on their own enquiries. (f) This brochure is a guide only and does not constitute an offer or contract.