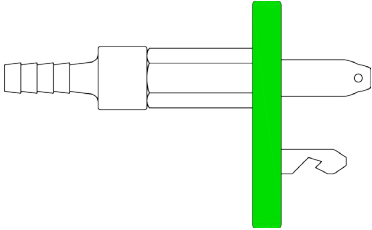
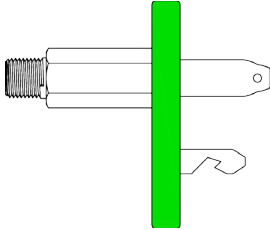
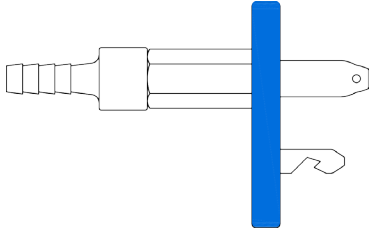
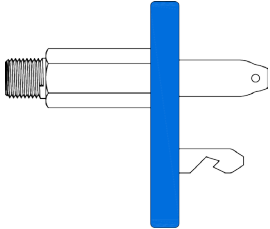
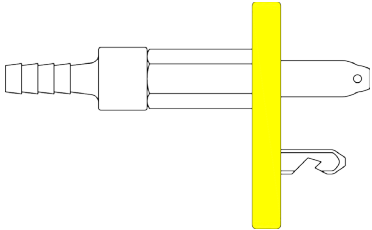
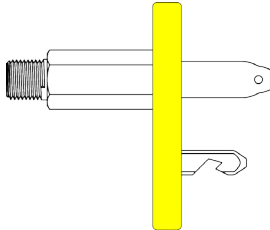
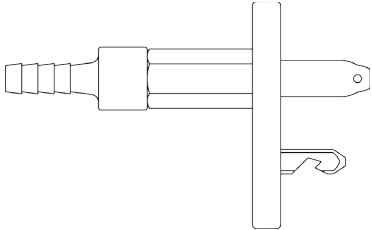
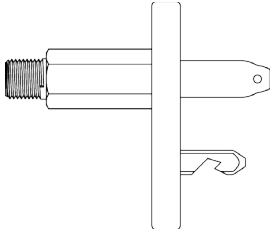


Available with hose barb, or 1/8" NPT male thread

CHEMETRON ADAPTERS

ORDERING INFORMATION



		With Hose Barb for 1/4" ID Hose		With 1/8" NPT Threaded Connection
Oxygen			MD 32203	
Nitrous Oxide	Use MD 32276 +		MD 32204	
Medical Air	Part number for the threaded connector		MD 32205	
Vacuum			MD 32206	

DODHYS MEDICAL LIMITED
P. O. Box: 7752, SAIF ZONE, SHARJAH, UNITED ARAB EMIRATES.



DISCLAIMER (a) Please note that this brochure was prepared prior to all necessary Government consents being obtained. (b) The photographs may have been digitally enhanced or altered and are for indicative purpose only. (c) Changes may be made during the development and dimensions, fittings and specifications are subject to change without notice. Fittings and finishes are subject to availability and vendor discretion. (d) The information contained herein is believed to be correct but is not guaranteed. (e) Prospective purchasers should make and must rely on their own enquiries. (f) This brochure is a guide only and does not constitute an offer or contract.