

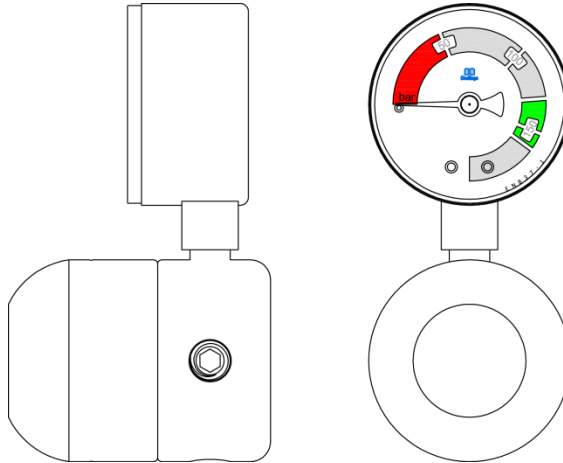
ORDERING INFORMATION



DIAPHRAGM TYPE REGULATORS

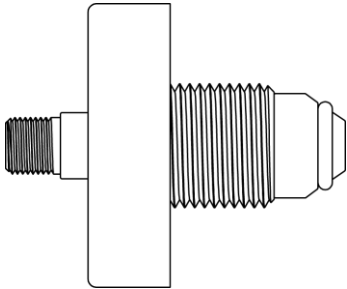
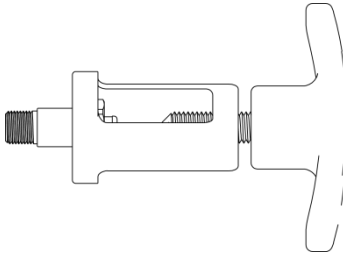
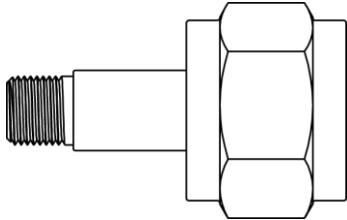
PLEASE SELECT OPTIONS FROM EACH SECTION:

1. MAIN REGULATOR



MD 33570	OXYGEN REGULATOR
MD 33571	NITROUS OXIDE REGULATOR
MD 33572	AIR REGULATOR

2. INLET CONNECTION

	BULLNOSE	PIN INDEX	CGA
			
OXYGEN	MD 33576	MD 33579	MD 33584 (CGA 540)
NITROUS OXIDE		MD 33580	MD 33585 (CGA 326)
AIR	MD 33576	MD 33581	MD 33586 (CGA 346)

DODHYS MEDICAL LIMITED

P. O. Box: 7752, SAIF ZONE, SHARJAH, UNITED ARAB EMIRATES.

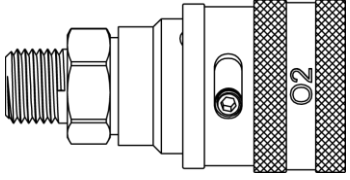
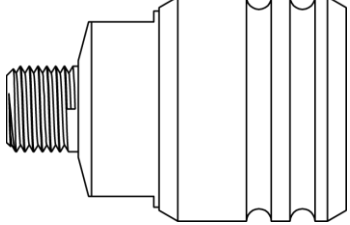
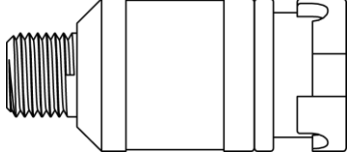
  dodhys.com

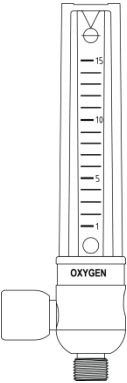
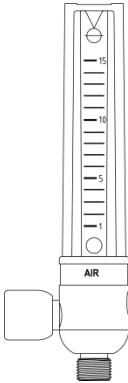
ORDERING INFORMATION

DIAPHRAGM TYPE REGULATORS



3. CONNECTION AT OUTLET (Up to 3 types of outlet connection can be selected per regulator)

	BRITISH	GERMAN	FRENCH
QUICK COUPLING			
OXYGEN	MD 31450	MD 31495	MD 31485
NITROUS OXIDE	MD 31451	MD 31496	MD 31486
AIR 4 BAR	MD 31452	MD 31497	MD 31487
AIR 7 BAR	MD 31453		

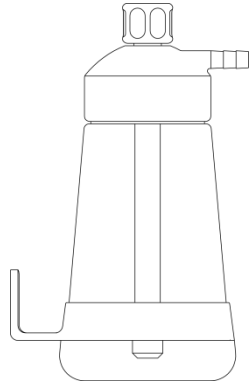
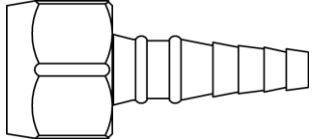
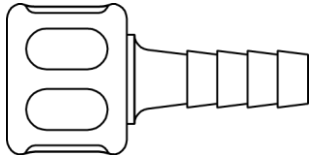

FLOWMETER				
	MD 33530	OXYGEN FLOWMETER	MD 33535	AIR FLOWMETER

ORDERING INFORMATION

DIAPHRAGM TYPE REGULATORS



ACCESSORIES FOR THE FLOWMETER

Humidifier	MD 33566	
Tubing Nipple – Plastic (Add – W/B/G for white, Black and Green colors	MD 32277	
Tubing Nipple – Metal	MD 30024	
4. ACCESSORIES		
Adult Mask	MD 30000	
Child Mask	MD 30001	